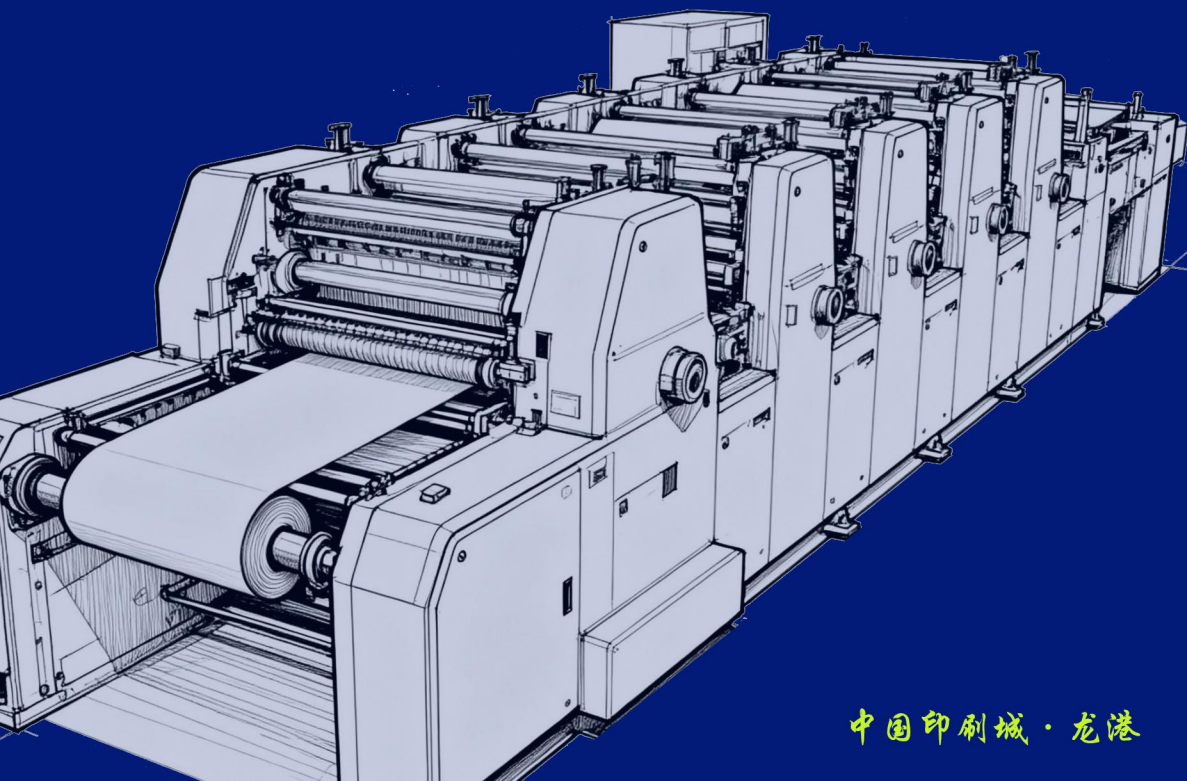




温州联速印刷有限公司

Wenzhou Liansu Printing Co.Ltd



中国印刷城·龙港

1

我们是做什么的？

Our core business operations



彩盒
color box packing



食品盒
food container



手提袋
reticule



标签
self-adhesive label

2

我们公司什么时间建立的？

When was our company established?

2016

3

公司规模如何？

What is the business scale of our company

年营业额5600万，营业厂房面积2000m²，公司通过ISO 9001、ISO 14001等国际认证，拥有印刷、及印后完整工艺服务。

The annual turnover of the company reaches 56 million yuan, with a production workshop area of 2,000 square meters. The company has obtained international certifications including ISO 9001 and ISO 14001, and provides complete services covering printing and post-press processes.



致力于提升客户产品品牌价值

Committed to enhancing the brand value of customers' products.

我们只做中高端包装品定制

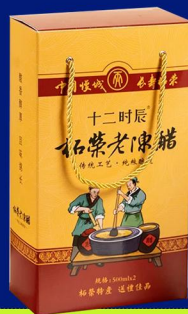
We only provide customized packaging for medium and high-end products.

公司通过ISO 9001、ISO 14001等国际认证

The company has obtained international certifications including ISO 9001 and ISO 14001

公司拥有全伺服自动品检机，保证产品合格率

Equipped with full-servo automatic inspection equipment, we ensure the product qualification rate.





多层标签Multi-ply label

通过多层结构实现防伪、防篡改等功能多层结构可实现不同信息的分层展示或分成管理需要，使标签内容更加清晰、有条理。

The multi-layer structure delivers functions such as anti-counterfeiting and tamper-proofing. It supports the hierarchical display and classified management of diverse information, making label content clearer and more organized.

我们生产的卷筒标签能满足高速自动贴标机的需求，并在潮湿、暴晒、极低温的环境下保证标签的正常使用，同时我们能提供一物一码、防伪标签的制作。

The roll labels we produce can meet the requirements of high-speed automatic labeling machines. They maintain stable performance in humid, direct sunlight and extremely low-temperature environments.

In addition, we provide customized solutions for unique code per item and anti-counterfeiting labels.



卷筒标签Roll-fed label



食品盒Food container

不管在材质的选择上，还是印刷方面，我们都保证采用食品级的安全材料，保护食品安全，同时在烫金、凹凸等工艺上做到行业顶级水平。

Both in material selection and printing, we guarantee the use of food-grade safe materials to ensure food safety. Meanwhile, we achieve top-tier industry standards in processes such as gold stamping and embossing/debossing.



合作企业Our Partners



古南豐

KIKKOMAN



北大倉

萬字

Natural Systems



女兒紅



全伺服自动品检机

系统组成：光学成像系统、图像处理软件、运动平台、缺陷检测系统软件、纠偏系统、伺服驱动系统；

覆盖范围：日化类、食品类、药品类、印刷包装、化妆品、防伪、3C电子等行业；

可检测缺陷类型：缺失、脏点、模切、套位不准、色差、划痕、烫金烫银、相机可见气泡、相机可见溢胶等；

可变信息检测种类

一维码检测：CODE128、ITF、CDDE39、CDDE93、EAN8、UPCA、UPCE、CODABAR，

二维码检测：OR、DM、PDF417可变信息规律检测：相等、顺序、空号、重号、错号、坏码。



加微信

温州联速印刷有限公司



0577-64262389

13588157302



浙江省龙港市世纪科技园

Wenzhou Liansu Printing Co.Ltd

Add: 205, Building 18, Century Science and Technology
Pioneer Park, Longgang City, Wenzhou City,
Zhejiang Province, China

Tel: 0086-0577-64262389

+86 13588157302